

SERVICE MANUAL



FISHER

STEREO HIGH FIDELITY SYSTEM

PH-D8000K

(EUROPE)



142 517 06

SPECIFICATIONS

Power Source
AC 120V/220V
DC 15V
(UM-1, HP2, D Cell, Monozelle, R20)x10

Max. Output Power 7.5Wx2
Power Consumption 36W

CD
Frequency Response 20Hz ~ 20kHz
S/N Ratio 90dB
Wow and Flutter Unmeasurable
Sampling Frequency 44.1kHz
Error Correction CIRC
Optical Pick-up 3-beam laser

TAPE
Current Consumption (at Vol. Min.)
Record mode 250mA
Playback mode 210mA
Fast Forward mode 250mA
Rewind mode 250mA
Recording System AC Bias
Erasing System AC Erasing
Tape Speed 1-7/8ips. $\pm 3\%$

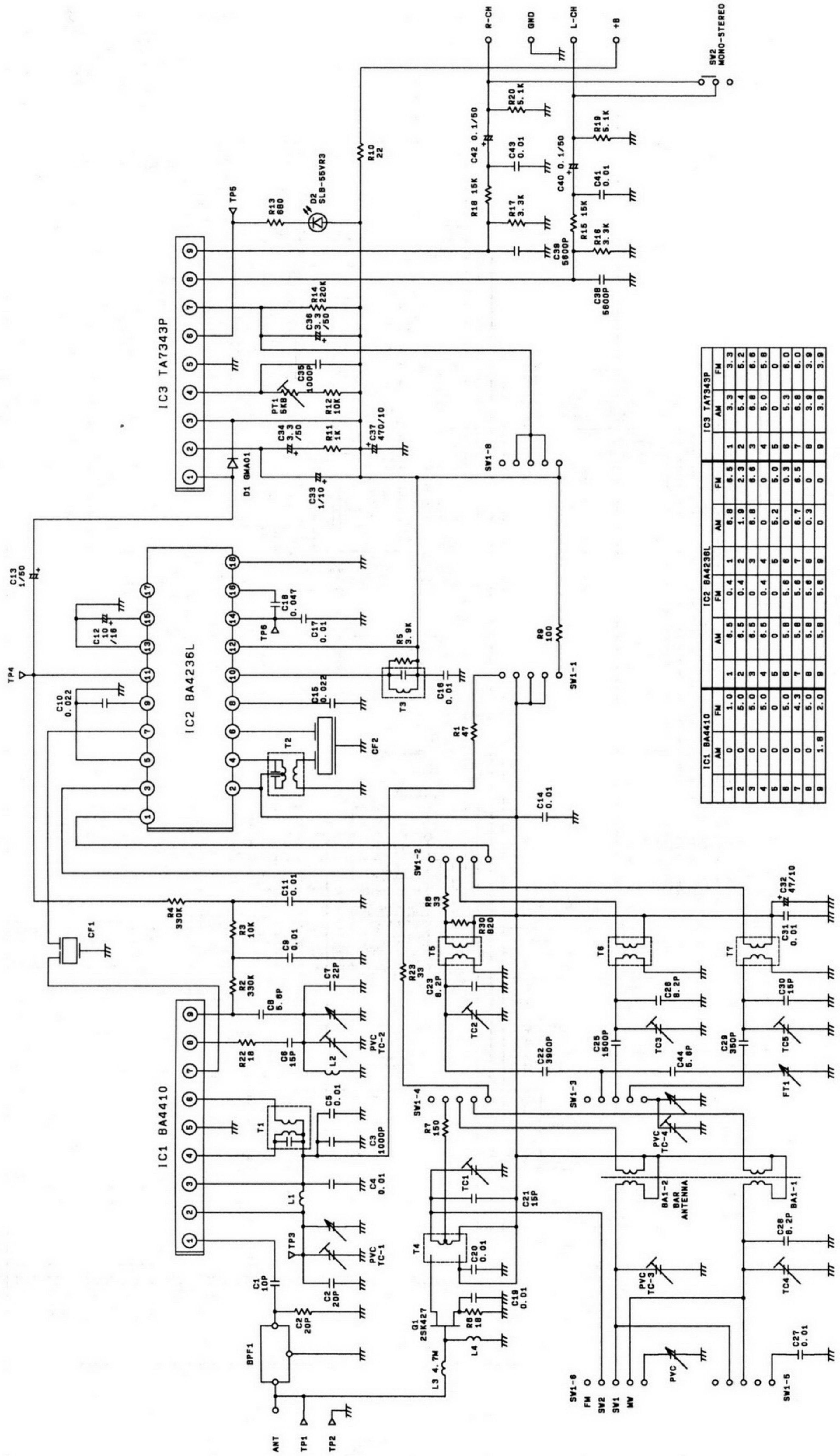
Wow & Flutter 0.15% (WRMS)
Torque
Playback 30 ~ 55g-cm
Fast Forward/Rewind 55 ~ 120g-cm
Fast Forward/Rewind Time 120sec. (with C-60)
Frequency Response (Overall)
Fe₂O₃ 100Hz ~ 12,500Hz
Erase Ratio (Overall, with Fe₂O₃) 60dB
Signal to Noise Ratio (with Fe₂O₃) 40dB
Crosstalk (with Fe₂O₃)
Track to Track 50dB
Channel Separation (with Fe₂O₃) 30dB
Harmonic Distortion (K3/with Fe₂O₃) 3%
Hum & Noise (at Vol. Min.) -60dBs
Oscillation frequency 85kHz
Output Level and Impedance
Headphones 32 Ω

TUNER
Frequency Range
MW 531 ~ 1,602kHz
SW1 2.3 ~ 7.5MHz
SW2 7.5 ~ 24MHz
FM 87.5 ~ 108MHz

— Specifications and design are subject to change without notice. —

REFERENCE No. WM-570656

SCHEMATIC DIAGRAM (Tuner)



IC1 BA4410		IC2 BA4236L		IC3 TA7343P					
AM	FM	AM	FM	AM	FM				
1	0	1.0	1	6.5	6.5	1	3.3	3.3	FM
2	0	5.0	2	6.5	2.3	2	5.4	5.2	FM
3	0	5.0	3	6.5	0.3	3	6.8	6.8	FM
4	0	5.0	4	6.5	0.4	4	0	0	FM
5	0	0	5	0	0	5	5.2	5.0	0
6	0	5.0	6	6.8	6.0	6	0.3	6.0	6.0
7	0	4.3	7	6.8	6.7	7	6.5	6.7	6.0
8	0	5.0	8	6.8	5.8	8	0.3	0	3.9
9	1.8	2.0	9	5.8	5.8	9	0	0	3.9

SCHEMATIC DIAGRAM

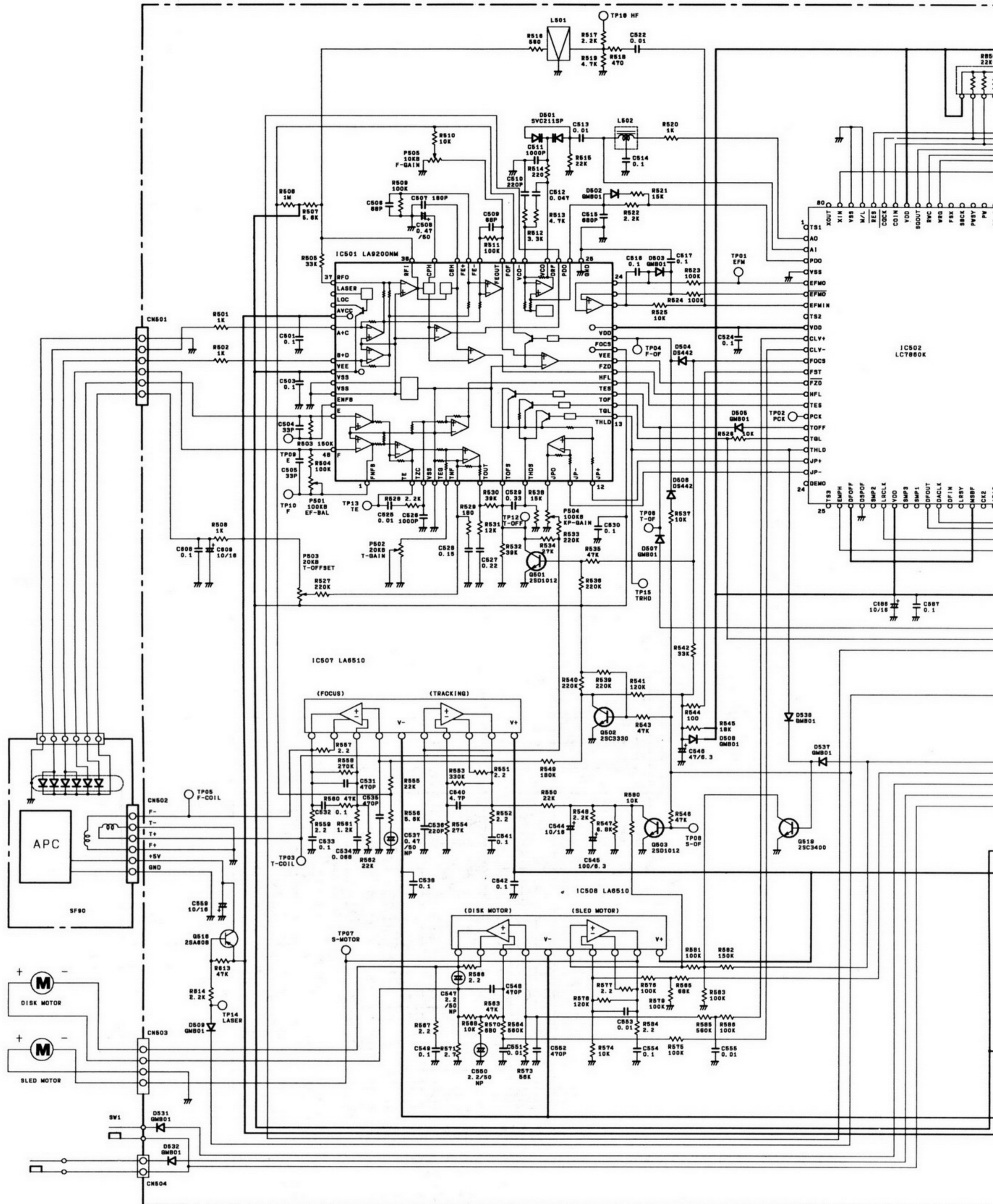
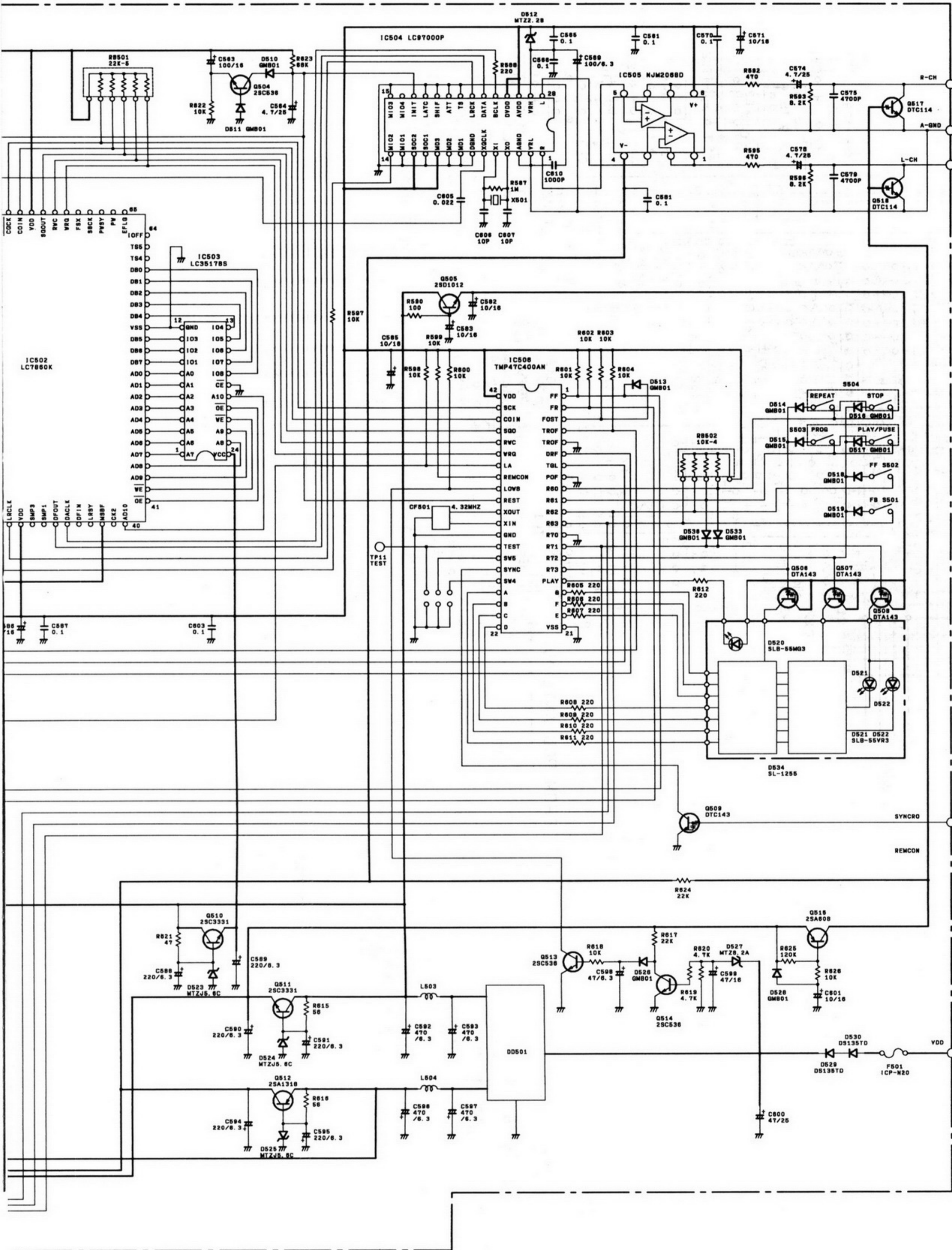
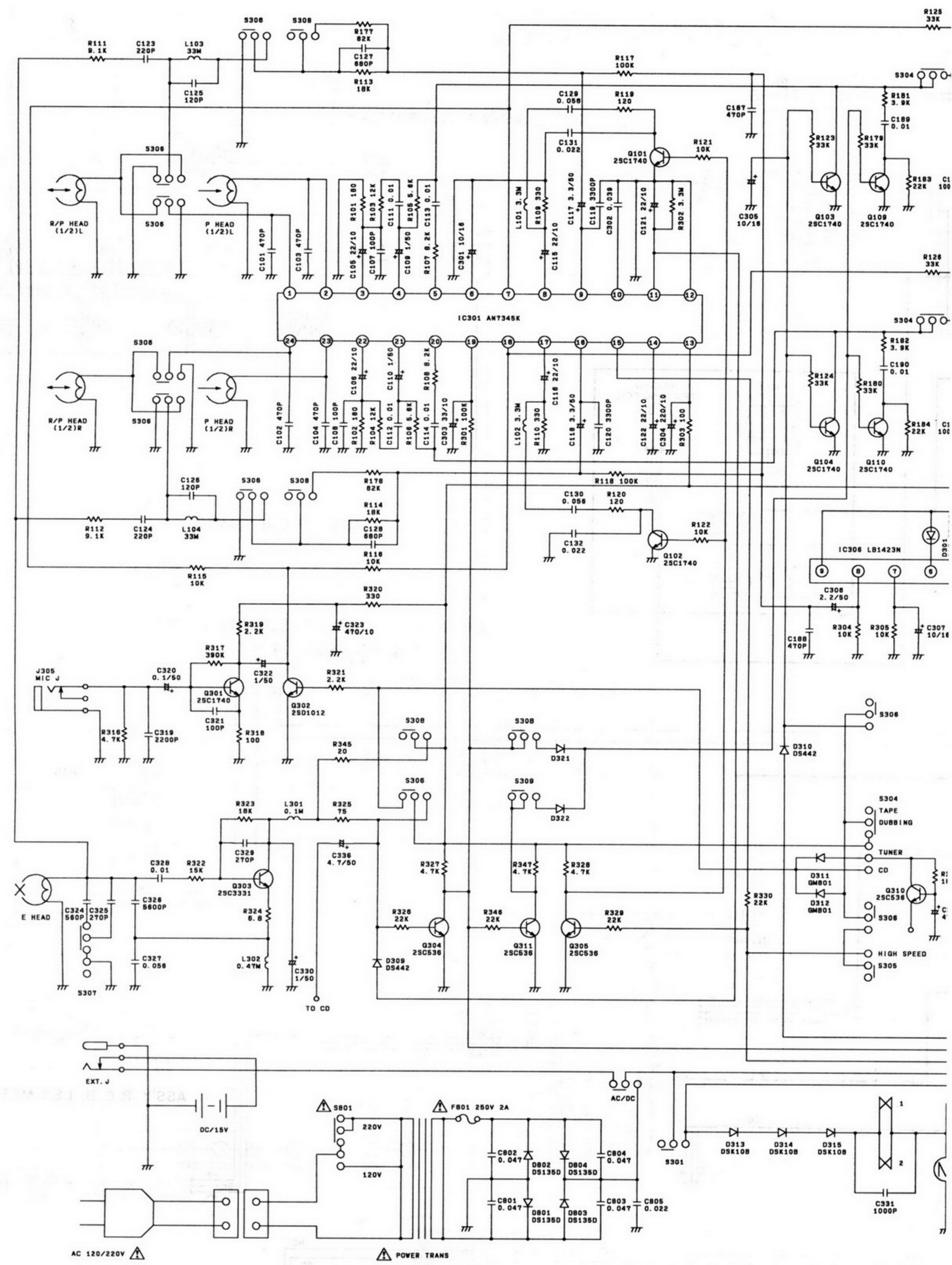


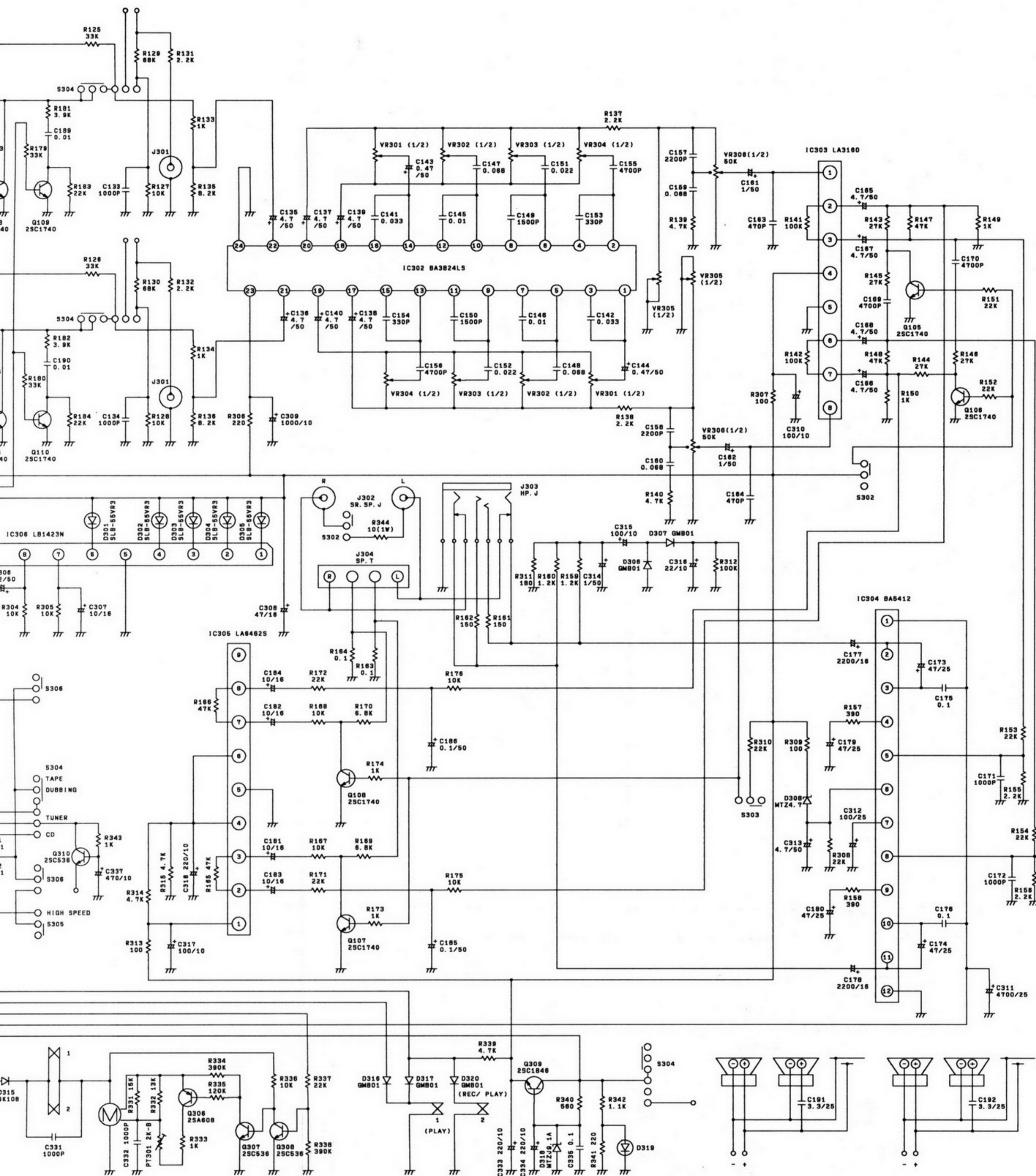
DIAGRAM (CD)



SCHEMATIC DI



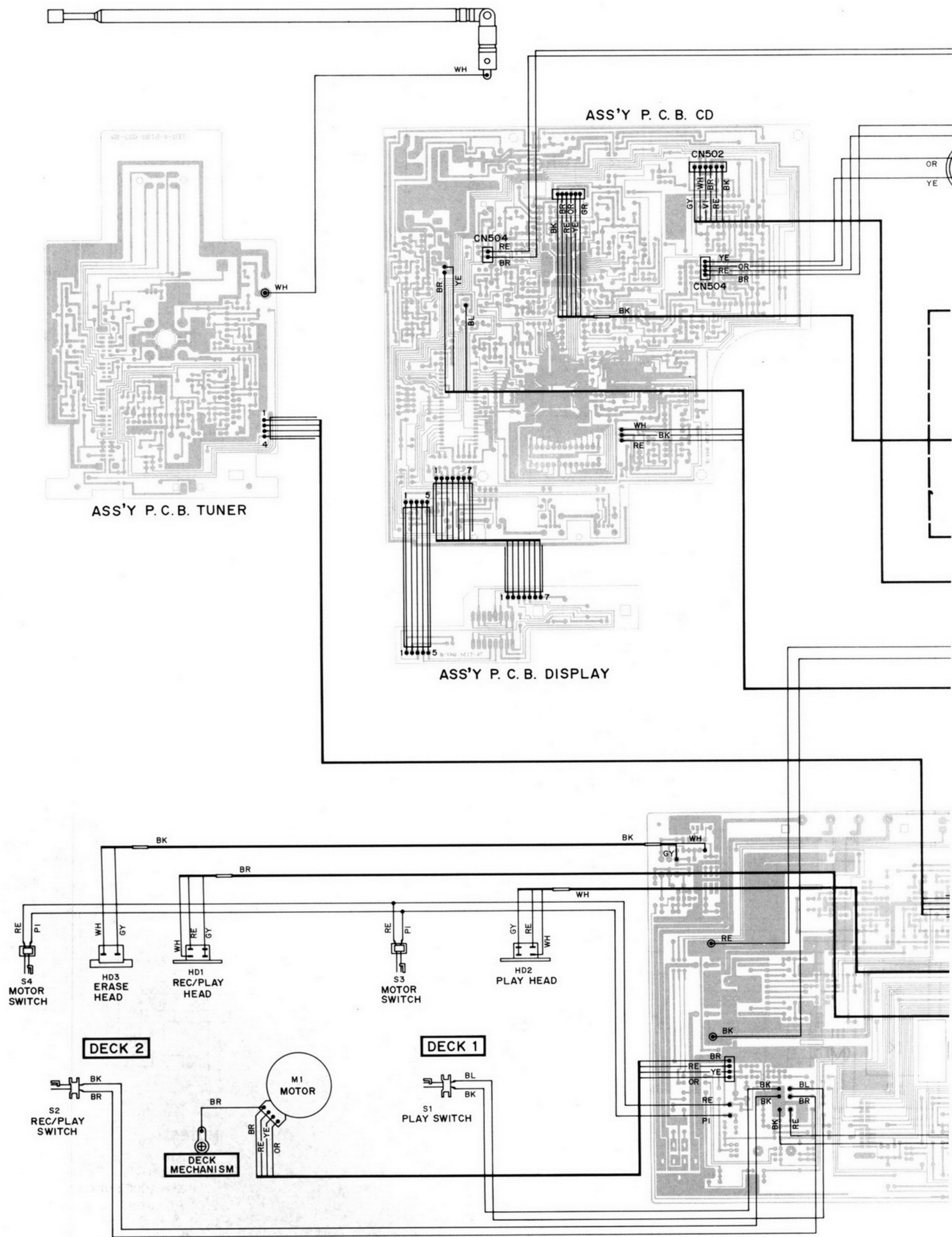
SCHEMATIC DIAGRAM (Amplifier)



NOTES:

1. All resistors are 1/4 watt or 1/6 watt 5% unless marked. Otherwise Resistor values are in ohms (K=1000 ohms, M=1000k ohms).
2. All capacitor values are in microfarads. (P=picofarads).
3. Δ is Safety Part. Use only replacement parts recommended by the manufacturer.
4. This is a basic schematic diagram.

WIRING DIAGRAM



DIAGRAM

